

Performance Design

SK140SRL LOGGING SPECIFICATION

SK140SRL of KOBELCO has realised a completely new value by harmonising PERFORMANCE – greater efficiency and productivity with an increased power and speed and DESIGN – operator-based operability and comfort, refusing to accept any compromises.

Wide shoes ensures plenty of traction

You can count on smooth and dependable travel with the longer crawler and wider shoe that are usually used on machines the next class up.



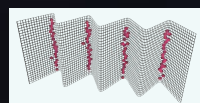
Ground Pressure: **28 kPa** at **900 mm** shoe

Digging cycle time

Shortened by **10%**
(Compared to the SK140SRLC-5 model)



iNDr



How the filter catches dust

iNDr Filter

A high-density mesh filter blocks dust intruding during air intake. This prevents the cooling device and the air cleaner from clogging with dust and maintains their performances. The ridges of the corrugated filter allow the air to pass through, and the grooves collect the dust, which prevents the filter from clogging.

The ultimate in simple and elegant design

The jog dial integrates multiple functions to realise simple operations. In addition, the switches and dials have LED backlights – they provide a bright, clear view in the dark and set a luxurious mood.



10-inch colour monitor (the largest in the industry)

The easy-to-operate menu screen facilitates reading of important information. Images from the built-in cameras can be checked on the large screen, which helps secure safety.



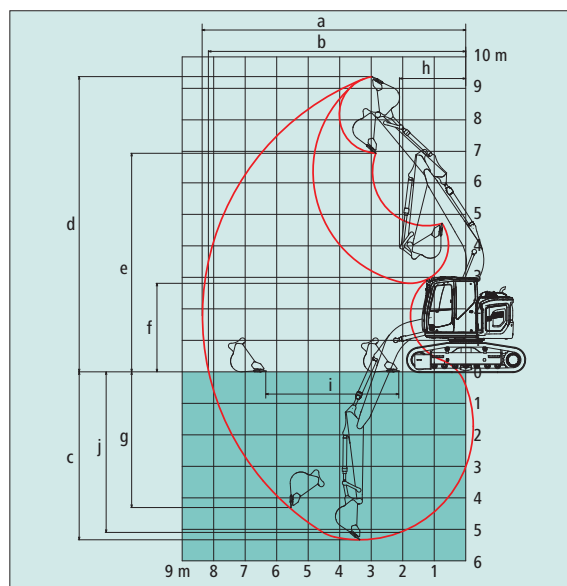
Specifications

| Model | | SK140SRL | | |
|-----------------------------|-----------------------|---|--------|--------|
| Type | | SK140SRL-7 | | |
| PERFORMANCE | | | | |
| Bucket Capacity ISO heaped | m ³ | 0.5 | | |
| Swing Speed | min ⁻¹ | 11.0 | | |
| Travel Speed | km/h | 5.3/3.0 | | |
| Gradeability | % (degree) | 70 (35) | | |
| Bucket Digging Force | kN | 105.4 | | |
| Arm Crowding Force | kN | 64.0 | | |
| Drawbar Pulling Force | kN | 153 | | |
| ENGINE | | | | |
| Model | | ISUZU MOTORS LIMITED 4J1XDDV A01 | | |
| Type | | Four cycle, water cooled, overhead camshaft, vertical in-line, direct injection type, with turbocharger | | |
| Power Output (ISO14396) | kW/min ⁻¹ | 86/2,200 | | |
| Max. Torque (ISO14396) | N·m/min ⁻¹ | 375/1,800 | | |
| Displacement | L | 2,999 | | |
| Fuel Tank | L | 186 | | |
| DEF/Urea Tank | L | 20.7 | | |
| HYDRAULIC SYSTEM | | | | |
| Pumps | | Double variable displacement axial piston pumps with a gear pump | | |
| Max. Discharge Flow | L/min | 2 x 142, 1 x 22 | | |
| Relief Valve Setting (main) | MPa | 34.3 | | |
| Swing circuit | MPa | 28.0 | | |
| Travel circuit | MPa | 34.3 | | |
| Hydraulic Oil Tank (System) | L | 89.9 (176.0) | | |
| WEIGHT | | | | |
| Counterweight | | Standard | | |
| Shoe Width | mm | 700 | 800 | 900 |
| Operating Weight | kg | 16,900 | 17,100 | 17,400 |
| Ground Pressure | kPa | 35.9 | 31.8 | 28.7 |
| Counterweight | | + 580 kg | | |
| Shoe Width | mm | 700 | 800 | 900 |
| Operating Weight | kg | 17,500 | 17,700 | 17,950 |
| Ground Pressure | kPa | 37.1 | 32.9 | 29.7 |
| Counterweight | | + 1000 kg | | |
| Shoe Width | mm | 700 | 800 | 900 |
| Operating Weight | kg | 17,900 | 18,100 | 18,400 |
| Ground Pressure | kPa | 38.0 | 33.7 | 30.3 |

WORKING RANGES

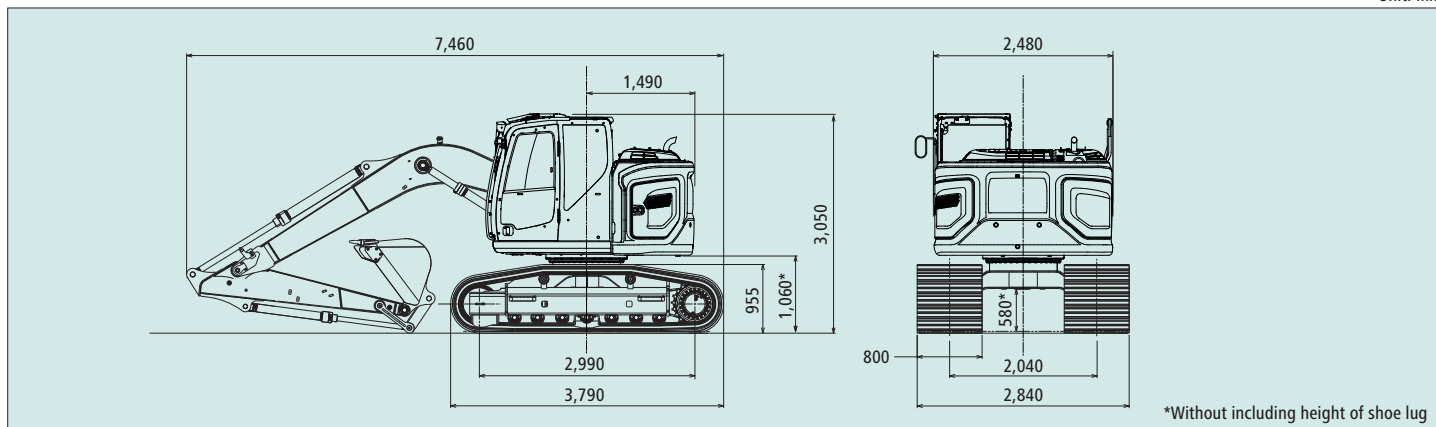
Unit: m

| MODEL | SK140SRL |
|--|--------------------|
| Arm length | 2.38 m |
| a- Max. digging reach | 8.37 |
| b- Max. digging reach at ground level | 8.17 |
| c- Max. digging depth | 5.33 |
| d- Max. digging height | 9.37 |
| e- Max. dumping clearance | 6.94 |
| f- Min. dumping clearance | 2.81 |
| g- Max. vertical wall digging depth | 4.31 |
| h- Min. swing radius | 2.13 |
| i- Horizontal digging stroke at ground level | 4.22 |
| j- Digging depth for 8' (2.4 m) flat bottom | 5.10 |
| Bucket capacity (ISO heaped) | 0.5 m ³ |



GENERAL DIMENSIONS

Unit: mm



Note: This catalogue may contain attachments and optional equipment that are not available in your area. And it may contain photographs of machines with specifications that differ from those of machines sold in your areas. Please consult your nearest KOBELCO distributor for those items you require. Due to our policy of continuous product improvements all designs and specifications are subject to change without advance notice. Copyright by **KOBELCO CONSTRUCTION MACHINERY CO., LTD.** No part of this catalogue may be reproduced in any manner without notice.

KOBELCO CONSTRUCTION MACHINERY CO., LTD.

5-15 kitashinagawa 5-chome, Shinagawa-ku, Tokyo 141-8626 JAPAN
 Tel: +81 (0) 3-5789-2146 Fax: +81 (0) 3-5789-2135
www.kobelco-kenki.co.jp/english_index.html

Enquiries To:

KOBELCO is the corporate mark used by Kobe Steel on a variety of products and in the names of a number of Kobe Steel Group companies.

SK140SRL-7-EU-101-200400N