



## WING BUCKET

**Versatile and efficient tool for handling different materials such as snow, wood, chips etc.**

**Robust structure and quality components – Professionals choice**

- ✓ STARK wing buckets **visors** makes attachment more easier to observe and increase load space.
- ✓ Thanks to **buckets functional shape** it fills up and empties easily.
- ✓ **Wings trajectory** is **145 degrees** which helps driving near walls and gives wide working width.
- ✓ With **advanced wings large flexibility (SLW)** wings meets the ground also in bumpy surfaces.
- ✓ **Wings large flexibility** allows more steeper tilting of the bucket. Removing packed snow is then much more efficient.
- ✓ **HD cutting blade** gives longer service life.
- ✓ **STARK FIT** is a tool attachment system that enables quick attachment between different base machines. (WBU 2150-2450)
- ✓ Accessories: bolt-on **perforated or toothed blades** and **FLOATING FRAME** (floating) for all models
- ✓ **The long service life of the STARK attachment is guaranteed by the STARK service**



**Lametal Oy**  
**Kaskenviertäjantie 2**  
**73100 Lapinlahti**

☎ **044 758 6221**

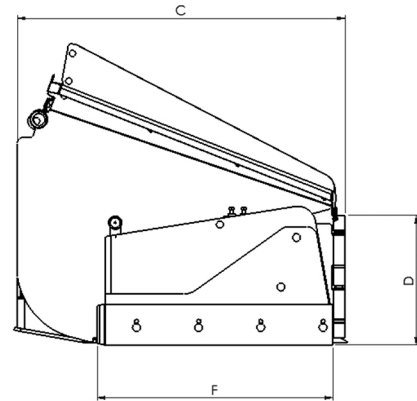
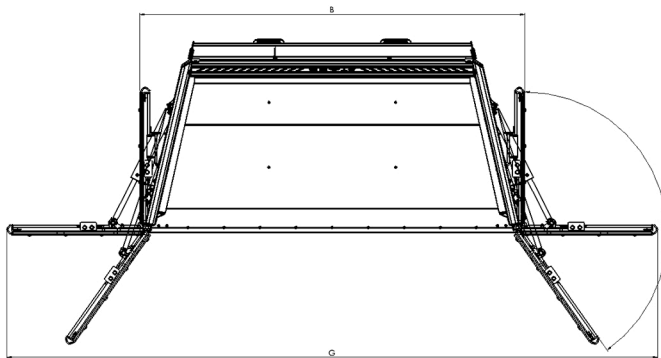
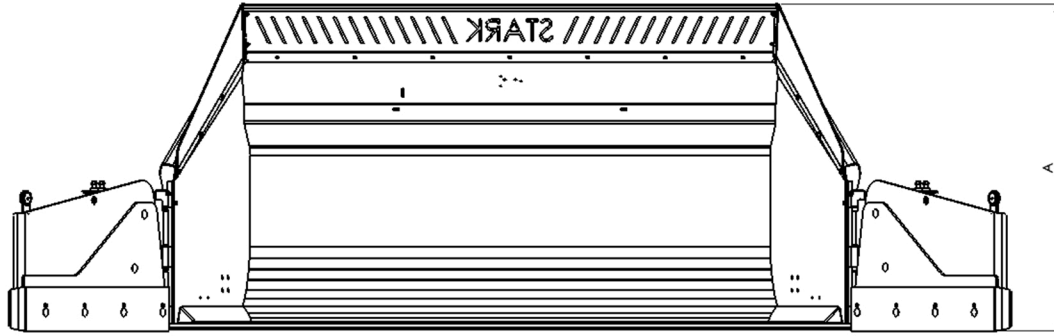
🌐 **www.stark.fi**

**SLW**

**STARK  
FIT**

**FLOATING  
FRAME**





Product	Bucket height (mm)	Bucket width (mm)	Bucket depth (mm)	Wing height (mm)	Wing turning angle (°)	Wing width (mm)	Max. Working width (mm)	Lip plate width (mm)	Bucket water volume (m <sup>3</sup> )	Bucket SAE volume (m <sup>3</sup> )	Weight (kg)**
	A	B	C	D	E	F	G				
WBU 2150/4000	1000	2150	1120	680	145	950	4000	2000	1,2	1,4	625
WBU 2150/4400	1000	2150	1230	680	145	1160	4400	2000	1,2	1,4	675
WBU 2500/4350T	1020	2500	1240	680	145	950	4340	2350	1,7	2,0	750
WBU 2450/4300	1180	2450	1400	680	145	950	4300	2300	2,3	2,7	890
WBU 2450/4700	1180	2450	1400	680	145	1160	4700	2300	2,3	2,7	990
WBU 2800/4600	1180	2800	1400	680	145	950	4640	2650	2,7	3,1	950
WBU 2800/5000	1180	2800	1400	680	145	1160	5050	2650	2,7	3,1	1000
WBU 2950/5200	1480	2960	1470	680	145	1160	5210	2800	3,6	4,2	1350
WBU 3300/5500	1490	3260	1640	680	145	1160	5520	3120	4,4	5,2	1460

\*\* including fitting and blades NOTE! weight varies depending on fitting