



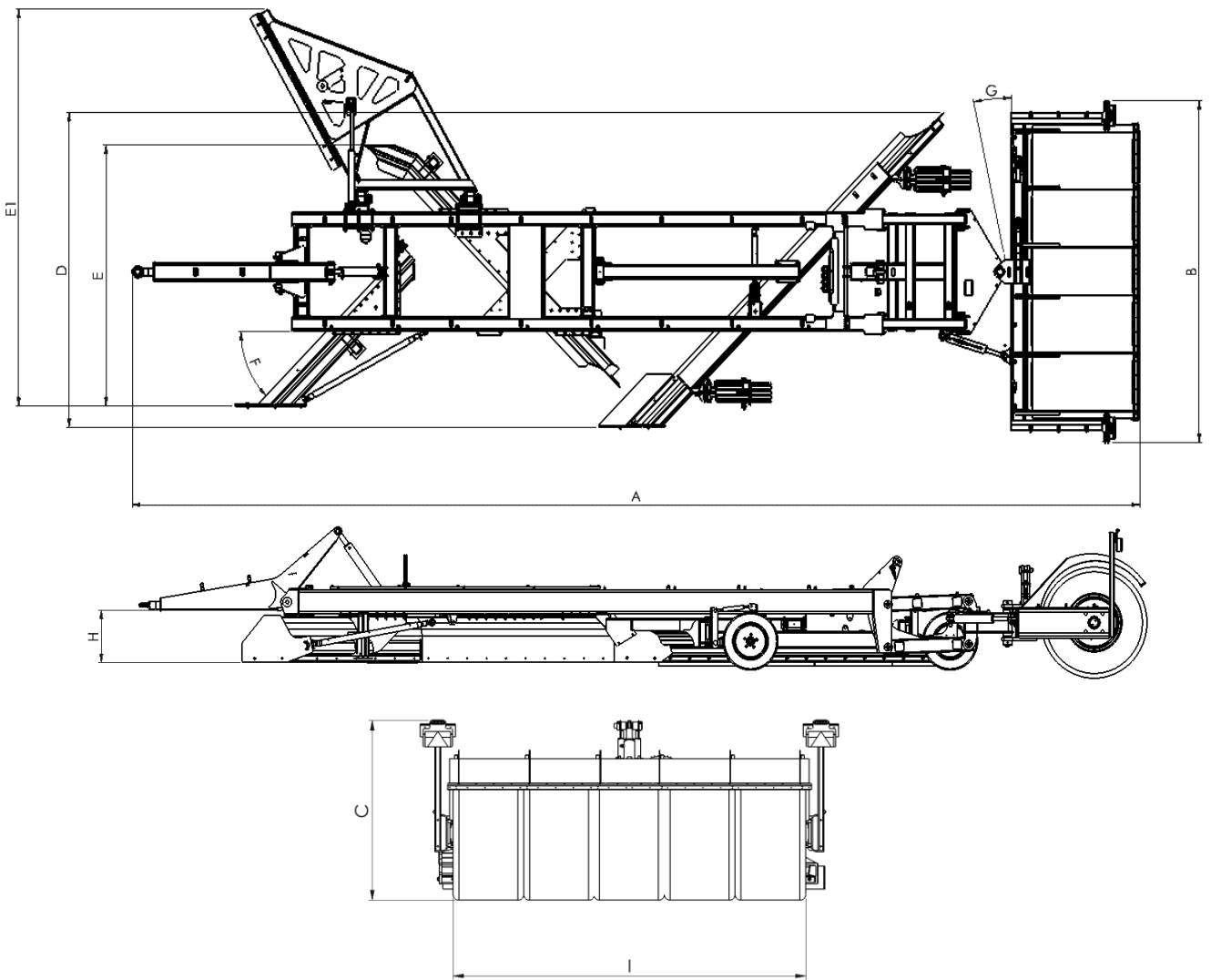
STARK TL 4500 & TL 7500 - ROAD DRAGS



- Excellent implements for road leveling, as well as for removing sets of holes and edging

- STARK TL 4500 & TL 7500 Road Drags are very easy to use.
- There is enough weight for efficient road maintenance.
- Thanks to the patented turning mechanism, a “dog walk” (CRAB STEERING) can be used. Road drag does not straighten in bends.
- The right blade angles guarantee an excellent work result and significantly reduce fuel consumption.
- A sturdy tire packer seals the levelled surface.
- STARK Road Drags are designed for year-round use. The main blades can be turned, so the Drags can be used in the winter season to remove packed snow. The main blade is turned mechanically .
- Standard equipment: sturdy tire pack with patented turning mechanism, plastic mudguard, hydraulic height, tilt and blade adjustments, levelling blade with large support wheels, lights, tilt gauge, tool box, flat steel blades set on levelling wing, mechanical middle wing’s turn to winter use position, 1 pc hydraulic block, wired control unit.
- Accessories: stinger blades equipment, side wing 1800 mm (TL 7500), side wing 1220 mm (TL 4500), bevel cutter, levelling wing’s hydraulic extension, support wheel hydraulics, wireless control unit, additional hydraulic blocks.





Product	Max. Length (mm)	Max. width without side wing (mm)	Max height (mm)	Working width, leveling wing (mm)	Working width, main wings (mm)	Max working width with side wing (mm)	Wings' angle \pm (°)	Wheel packer's turning angle \pm (°)	Main wings' height (mm)	Wheel packer's width (mm)	Tilt angle (°)	Weight (kg) *
	A	B	C	D	E	E1	F	G	H	I		
TL 4500	8800	2900	1300	2700	2300	3200	45	15	470	2600	12	4500
TL 7500	10800	3500	1600	3300	2800	4100	45	12	550	3100	12	6000

* Note! Weight may vary depending on accessories.