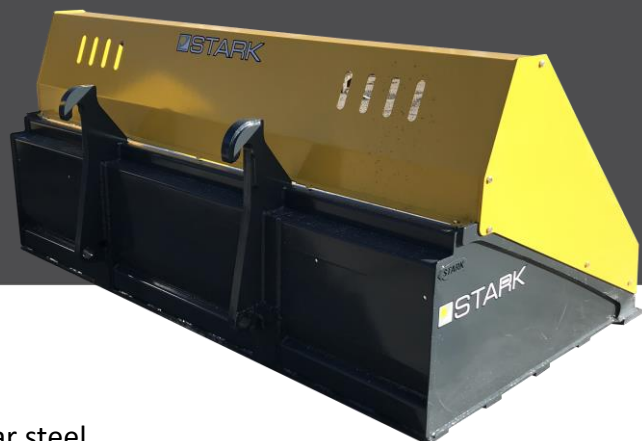


STARK LEVELING BUCKET

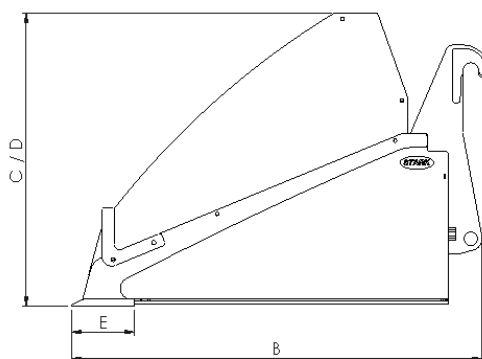
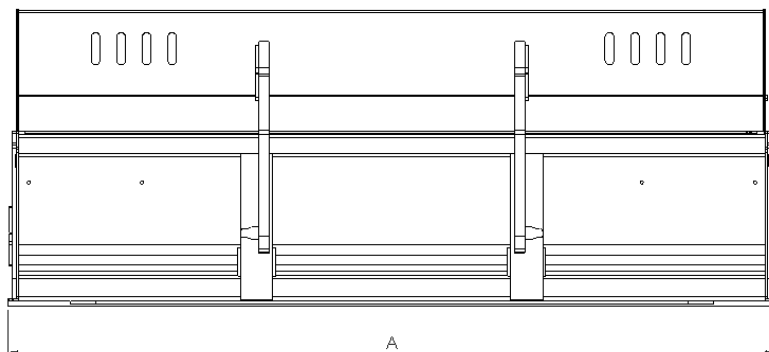
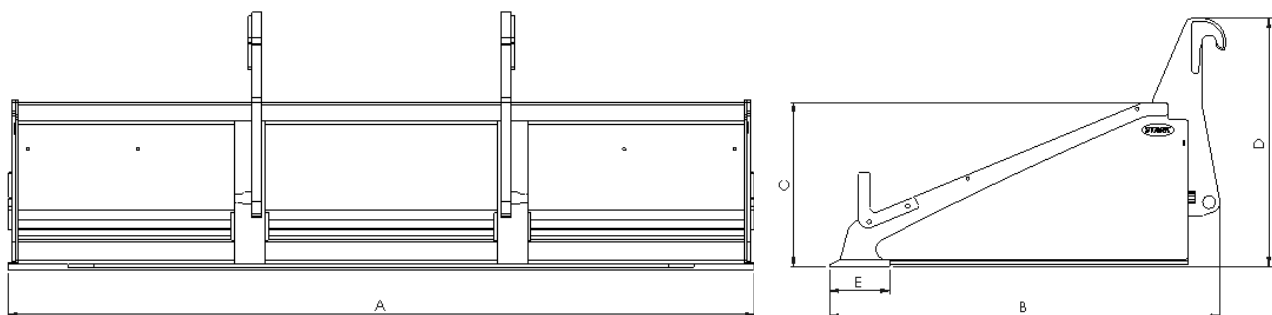
- The professional choice for leveling areas
- Designed for efficiency and durability



- Rigid construction
 - Good visibility due to low structure
 - Cutting edge and leveling plates of 500 HB wear steel
 - Edge hooks for transporting long goods
-
- Accessories: tool boxes (lockable), bolt-on snow sides



STARK attachments have been manufactured for over 40 years



Product	Width (mm)	Depth (mm)	Bucket height (mm)	Total height (mm)	Volume (m ³)	Cutting edge (mm)	Weight (kg)
	A	B	C	D		E	
TK 2500	2570	1500	670	1040	1,5	25 x 200	700
TK 3000	3000	1500	670	1040	1,8	30 x 250	975
Snow sides TK 2500	2570	1500	1130	1130	2,7		70
Snow sides TK 3000	2570	1500	1130	1130	3,0		120