

STARK -ROTARY BROOM BEAM

- Professional's choice
- Powerful, versatile and agile sweeper for year-round use in excavators

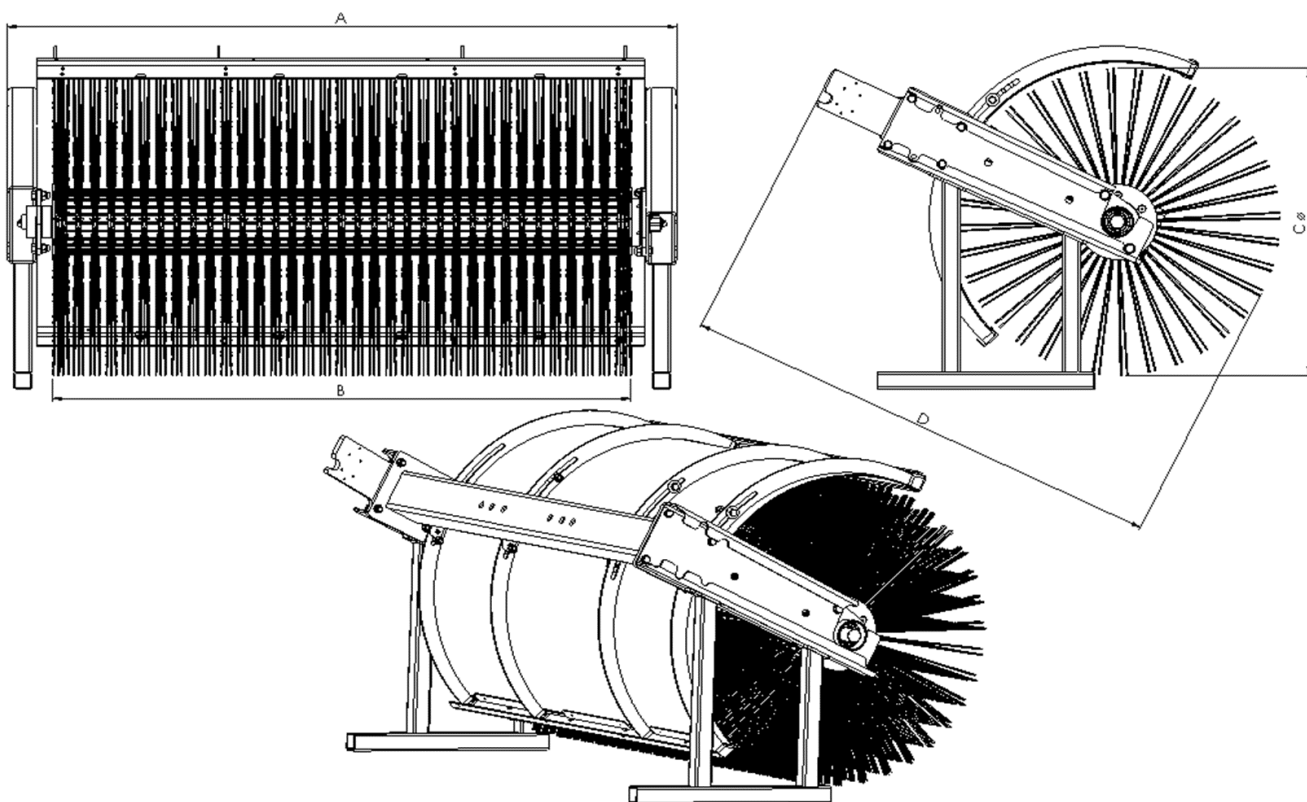


- Ideal for demanding special applications as well as for cleaning railway tracks
- Strong structure and high-quality components ensure trouble-free miles of cleaning
- Hydraulic motor is integrated into the brush roller, thus protecting it against impact
- 900 mm lamellas guarantee a clean finish even in rough, uneven brushing conditions
- 900 mm lamellas are the most cost-effective option
- Bolted STARK fit adapters are fast to replace
- Diverse range (TAH 600S – TAH 2500S)

- Accessories: mudguard, 900 mm steel lamellas, water nozzle line, High-pressure dust binding system.



STARK –attachments have been manufactured for over 40 years



Product	Max. width (mm)	Working width	Main broom diameter (mm)	Height (mm)	Min. oil absorption (l/min)	Max. oil flow (l/min)**	Max. pressure (bar)	Return line max. counterpressure (bar)	Weight without fittings (kg)*
	A	B	C	D					
TAH 600 S	900	600	900	1350	55	120	300	150	140
TAH 1000 S	1220	1000	900	1070	55	120	300	150	175
TAH 1300 S	1520	1300	900	1070	55	120	300	150	205
TAH 1600 S	1820	1600	900	1070	55	120	300	150	235
TAH 2000 S	2220	2000	900	1070	55	120	300	150	275
TAH 2500 S	2710	2500	900	1070	55	120	300	150	325

* Note! Weight may vary depending on fitting type/brush accessories

** Available with a flow limiter, if the output is more than 120 l/min