

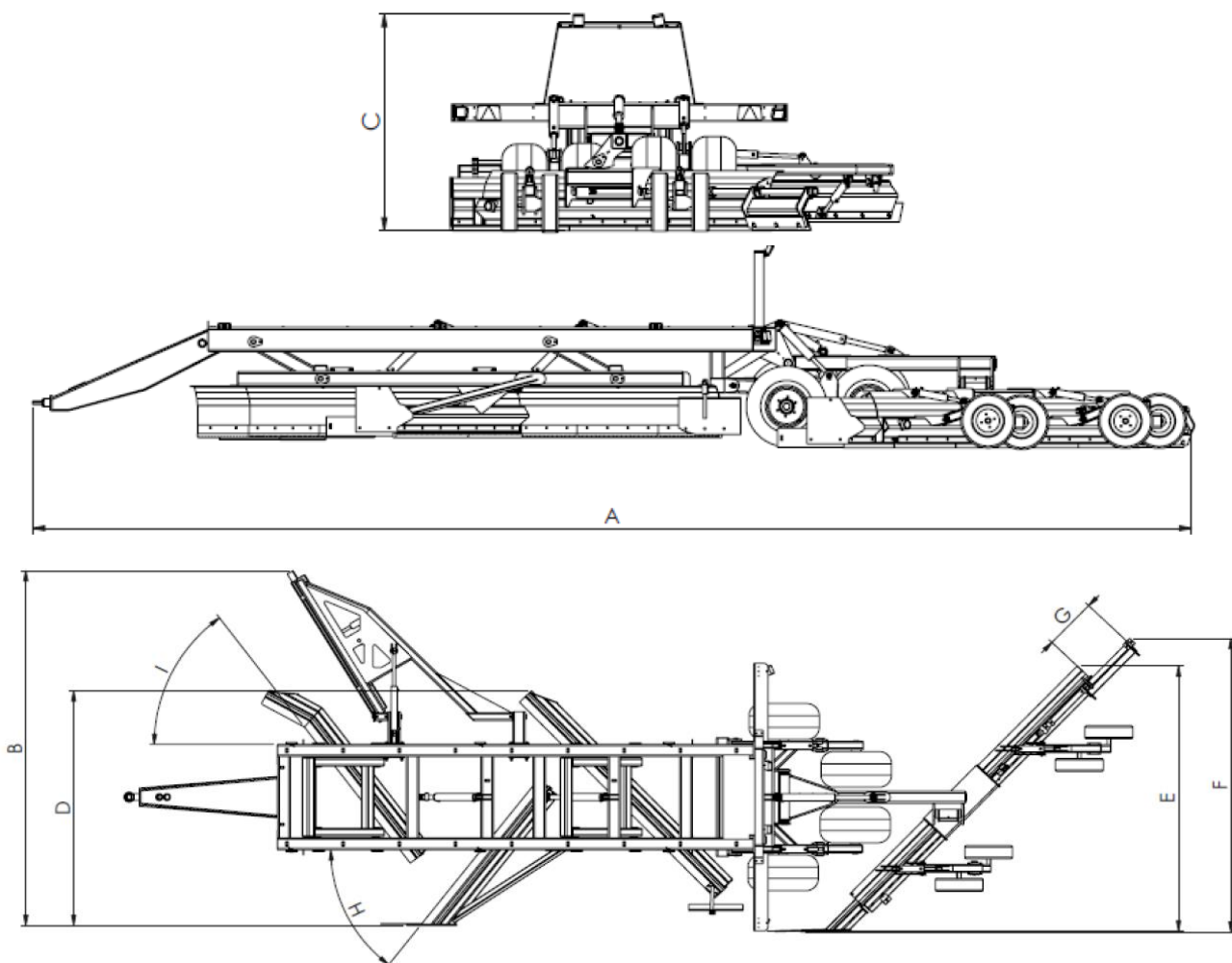
STARK -ROAD DRAG TL5030

- Designed for demanding professional use
- Excellent work tool for path maintenance, removal of a pot holes and roadside edging
- Strong structure and quality components ensure trouble-free miles



- The STARK TL5030 has been designed and tested on Finnish gravel roads. This not only move stones, this levels out, removes the potholes and smooth out the sharp edges of the road.
 - TL5030 has efficiency to cut even harder surface.
 - The new 2-frame design allows quick, accurate and easy adjustment of planing blades (3 pcs).
 - All 3 blades are simultaneously adjusted, providing maximum cutting and quick release of blades.
 - The bogie wheels is used to tilt and for height adjustment.
 - The rough spreader tilting angle is hydraulically adjusted. The bogie wheels ensure smooth driving. The hydraulic extension cleans the stones to the road shoulder.
 - All functions can be adjusted hydraulically from the cockpit's cab with the remote control.
 - The optional side blade enables to smooth out the road edges, allowing rainwater to flow into the ditch.
 - Standard equipment: flat blades, road traffic lights, hydraulic extension for rough spreader blade, hydraulic support wheels, gradient gauge, tool box.
-
- Optional accessories: hydraulic side blade with pressure accumulator, flatbed, pivot pin (3 head blades), wireless remote control.





Product	Max. Length (mm)	Max. width (mm)	Height (mm)	Working width	Min Working width with rough spreader blade (mm)	Max Working width with rough spreader blade (mm)	Extension width (mm)	Blade angle (°)	Blade angle (°)	Weight (kg)*
TL 5030	A	B	C	D	E	F	G	H	I	5500
TL 5030	12100	4400	2100	2900	3250	3600	600	52	53	5500

NOTE! Weights may vary depending on the accessories.