

STARK THM4500 -REAR MOUNTED SWEEPER

- For efficient sweeping of large areas like airports, ports, terminals, industrial sites
- For use in utility work machines with featuring a three-point hitch.
- A professional's choice

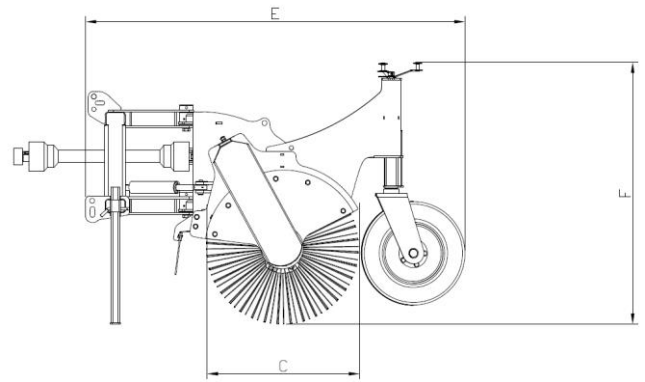
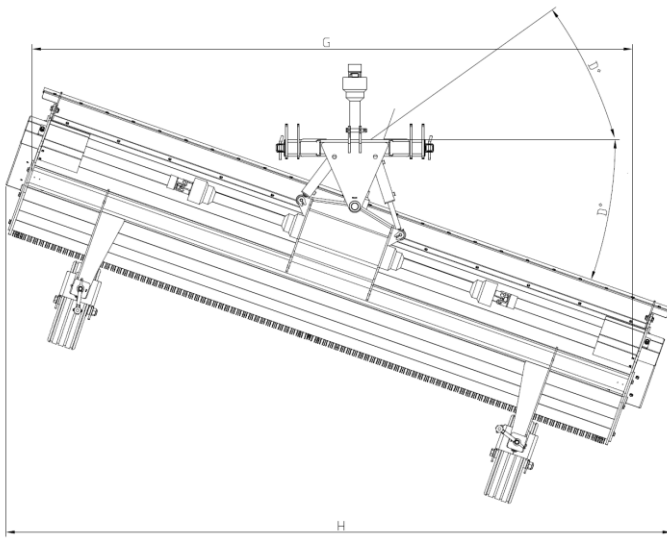
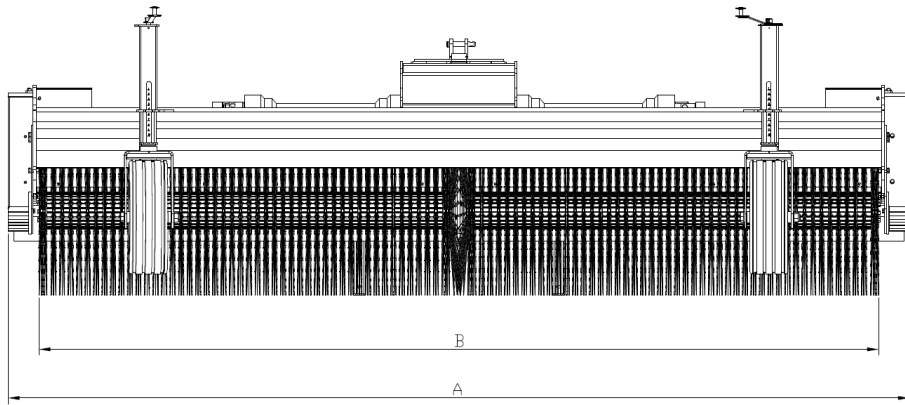


- The working width of 4500 mm enables efficient sweeping of large areas
- Turning angle of +/- 20 ° helps to move garbage to desired directions
- Mechanical power transmission is efficient and reliable
- Maintenance-free toothed belt drive is effective, non-slip, accurate and it gives a high mechanical efficiency
- Diameter 900 mm lamellas ensure a long exchange interval and excellent cleaning performance
- The brush roller's middle support and the large support wheels ensure a smooth and stable brushing
- Due to the high rotation speed of the brush roller faster driving speed may be used



- Accessories: LED light set.





Product	Max. width (mm)	Working width (mm)	Main brush diameter (mm)	Angle of rotation (°)	Distance from the fitting (mm)	Height (mm)	Brush width with rotation angle (mm)	Max width with rotation angle (mm)	Power take-off (RPM)	Weight (kg)
	A	B	C	D	E	F	G	H		
THM 4500	4835	4500	900	+/-20	2245	1545	4275	4775	540	1350