

STARK -BACK BROOM



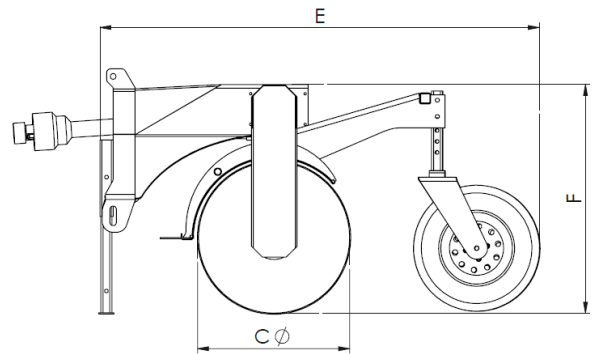
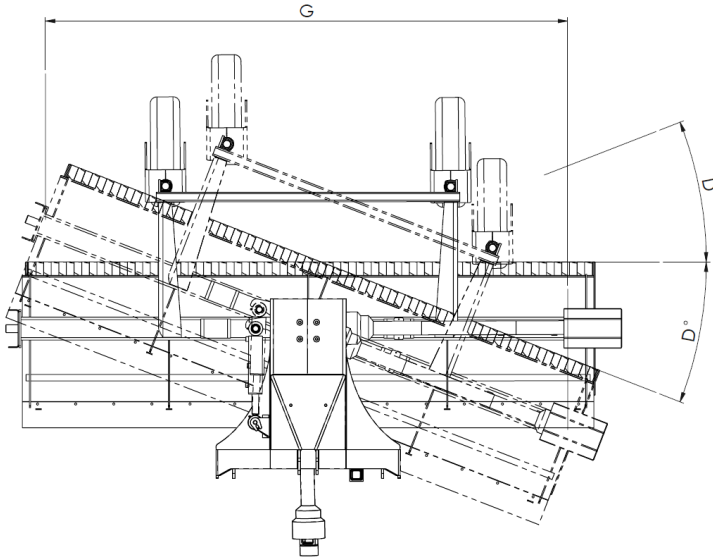
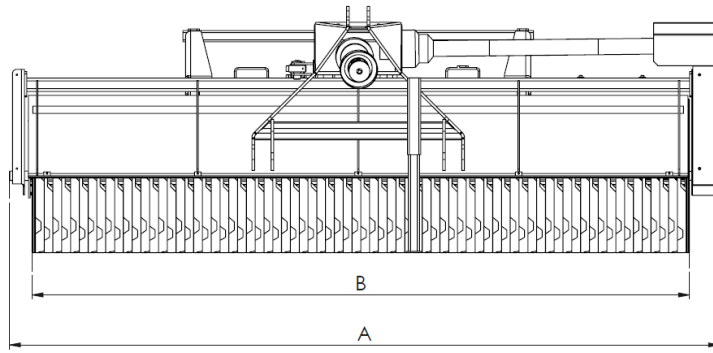
- Professional's choice
- Design based on efficiency

- Designed to be used in a tractor's lifting device
- The broom can be turned hydraulically 15° to both sides
- Rotating power is produced by a hydraulic motor or by a power outlet
- The rotation speed of hydraulic motors can be adjusted steplessly
- The motor is integrated into the brush roller, thus protecting it against impact



- Accessories: Watering system





Product	Max. width (mm)	Working width	Dimension of main brush (mm)	Turning angle (°)	Distance from fitting (mm)	Height (mm)	Sweeping width using Reverse Fit device (mm)	Min. oil absorption (l/min)	Max. oil flow (l/min)*	Max. pressure (bar)	Power take-off (RPM)	Weight (kg) **
	A	B	C	D	E	F	G					
TH 2500	2750	2500	700	22	2000	1050	2250	40	120	300	-	430
TH 3000	3000	3000	700	22	2000	1050	2750	40	120	300	-	460
THM 2500	2750	2500	700	22	2000	1050	2250	-	-	-	540	460
THM 3000	3250	3000	700	22	2000	1050	2750	-	-	-	540	520

*Available with a circuit limiter, if the output is more than 120 l/min

**Weight may vary depending on the accessories