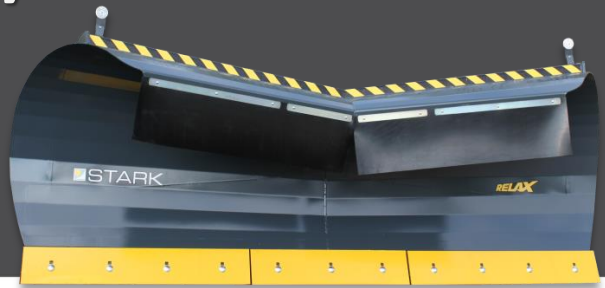




STARK -RELAX BUTTERFLY PLOW

- Patented RELAX blade release system protects the operator, base machine and work tool
- Safest butterfly plow on the market
- Professional's choice for plowing roads

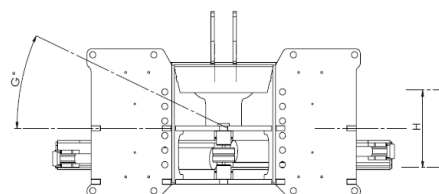
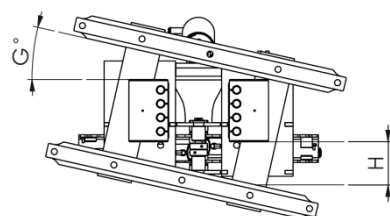
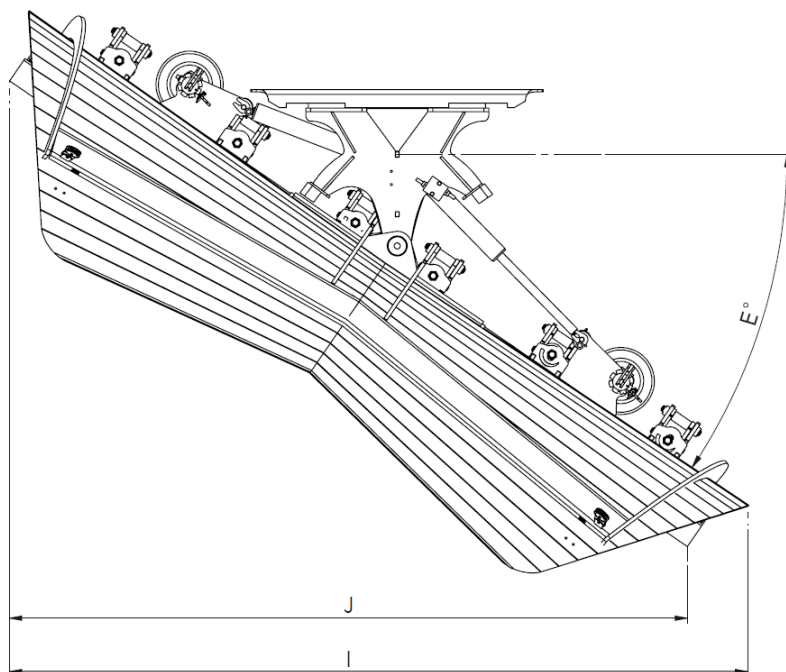
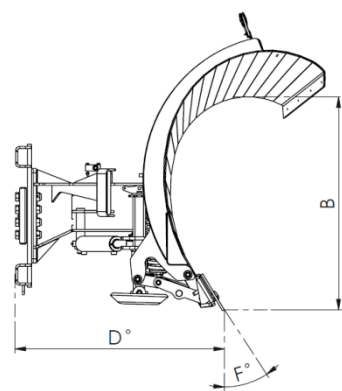
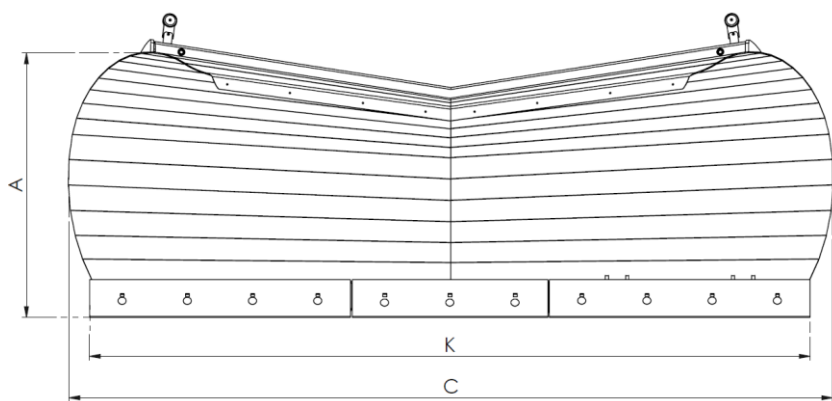


- Strong structure and high quality components ensure trouble-free miles of plowing
- Excellent snow throwing capability in both directions
- RELAX plow steel frame remains steady during plowing, resulting in smooth and flat driving surface
- RELAX plow springs are not exertion during plowing, thus avoiding unnecessary spring replacement costs
- RELAX plow removes packed snow efficiently and safely
- Thanks to the advanced degree of flotation, the plowing result is even and the plow is light to push
- Vertical and horizontal flotation ensure a uniform plowing trail
- Tilt angle of 12° (TA3100R, TA3400R)
- Vertical flotation travel of 190 mm (TA3100R, TA3400R)
- Flotation does not need greasing (TA3100R, TA3400R)
- All RELAX butterfly plows have a bolt-on STARK-fit fitting
- All STARK plows can have standard blades mounted



- Accessories: numerous blade options, LED series, rubber snow edge for the front of wing, customized paint finish, hydraulically operated snow stopper, support wheels, central lubrication system





Product	Wing max. height (mm)	Wing min. height (mm)	Wing width (mm)	Distance from fitting (mm)	Turning angle ± (°)	Blade angle (°)	Flotation (°)	Flotation height (mm)	Min. width with turning angle (mm)	Min. working width for turning angle (mm)	Blade length (mm)	Weight (kg) *
	A	B	C	D	E	F	G	H	I	J	K	
TA 3100 R	1240	1030	3230	950	38	32	12	190	2790	2590	3090	870
TA 3400 R	1240	1020	3580	950	38	32	12	190	3100	2860	3370	1030
TA 3700 R	1190	970	3830	1000	38	32	6	150	3110	2910	3670	1250

* Weight includes blades and fittings. Weight depends on the fitting/plow accessories