



STARK -SNOW BLOWER

- The perfect choice for demanding professional use
- The optimum wing design generates a significant fuel saving

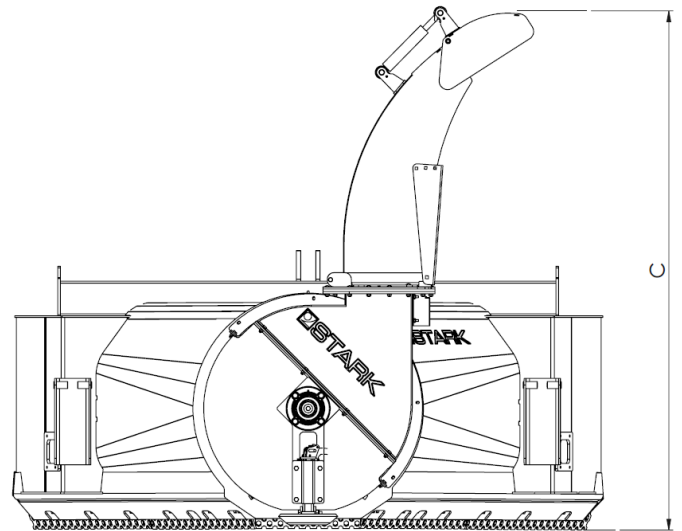
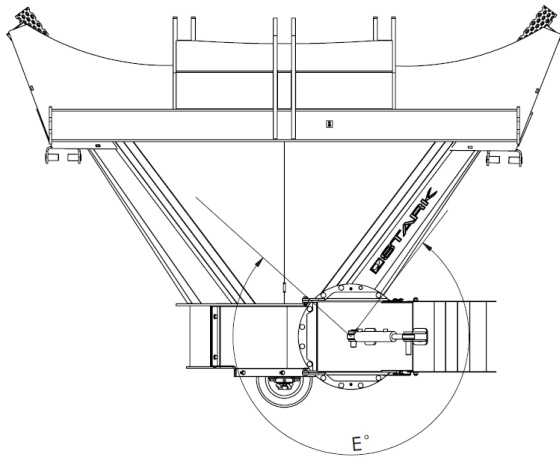
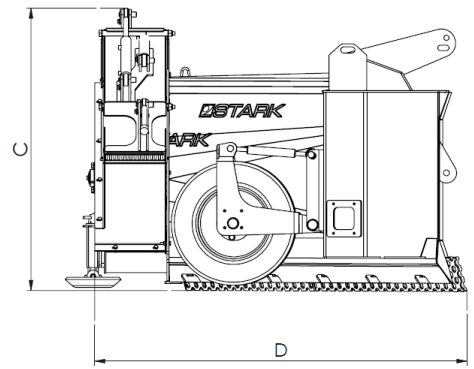
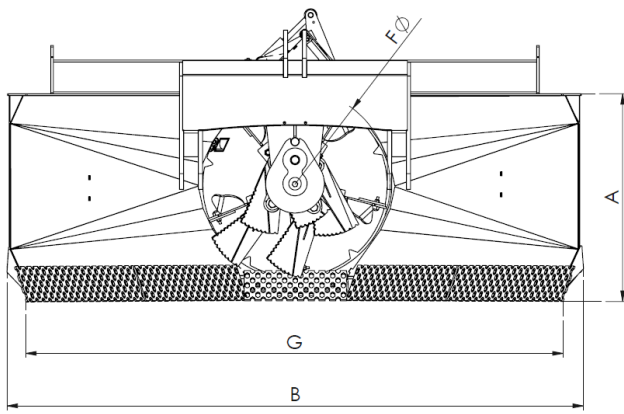


- The outstanding snow-loosening capacity resulting from its 1200 kg weight and the optimized design of its blade make this snow blower a light and high-performance work tool
- STARK S810 and ST815 snow blowers are ideal for courtyards, parking lots, streets and forest roads
- FLEXBLADE feed blades protect the equipment against breakage
- FLEXBLADE feed blades retain their snow throwing capabilities even under difficult conditions
- A safety net underneath the feed blades ensures safety
- In S810, it is possible to replace the feed blades with hydraulically actuated throwing chute. The change is a bolt-on feature
- The throwing chute has a turning angle is 265°
- Good visibility increases occupational safety
- The snow thrower's robust housing design is made of structural steel, giving it unsurpassed durability and optimized weight. Feed blades and throwing churn are made of heavy duty steel, which is resistant to abrasive wear and extends the life of your snow blower
- Supplied with a hole blade as a standard



- Accessories: Support wheels, hydraulic support wheel, carbide blades





Product	Wing max. height (mm)	Total width (mm)	Total height (mm)	Length (mm)	Turning angle of discharge chute (°)	Diameter of auger housing (mm)	Min. working width (mm)	Weight (kg) *
	A	B	C	D	E	F	G	
S 810	990	2740	1390	1830	-	920	2550	1260
ST 815	990	2740	2500	1830	265	920	2550	1300

*Note! Weight may vary depending on accessories