

**STARK NL 1830R – 2800R  
RELAX ARTICULATED PLOW**

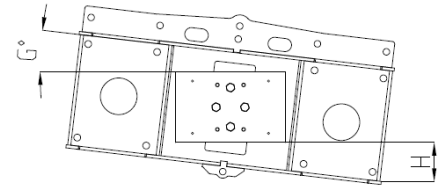
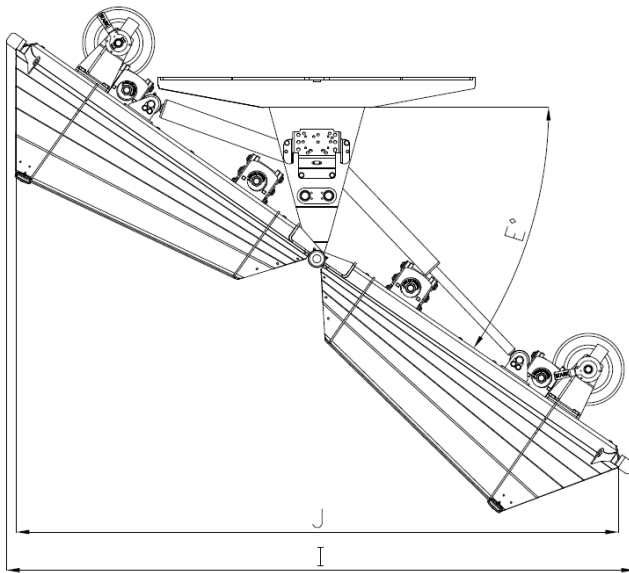
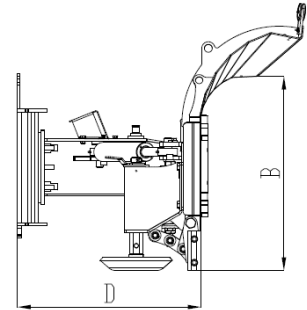
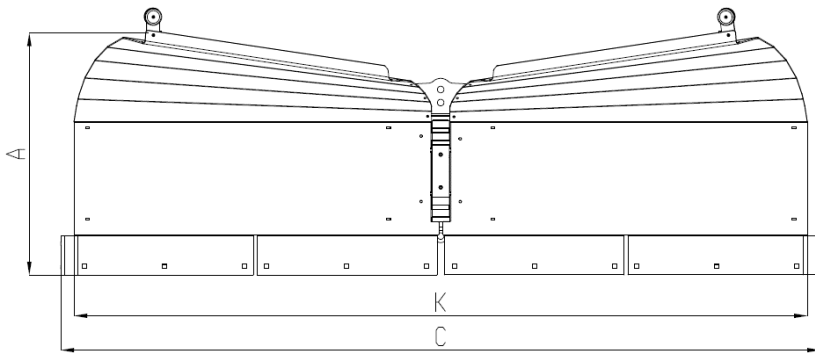
- Best functionality, efficiency and work result
- Excellent usability
- Durable and long-lasting



- The patented RELAX blade system enables very even plowing result.
  - Integrated FLOATING FRAME closely follows the ground enabling excellent track. The sliding plates and the positioning of the flotation reduce bouncing of the plow while working.
  - Wide range of motion ( $\pm 35^\circ$ ) allow steering the load of snow into desired direction, collection from narrow spaces and pushing to the embankment.
  - Excellent visibility due to low structure which increases work safety and efficiency. Well suited for tractors and small real estate maintenance machines. Casing construction is rigid for its weight.
  - STARK FIT tool attachment system enables quick change between different base machines.
  - Blades with standard measures and side wear pads.
- 
- Standard equipment: RELAX, FLOATING FRAME and STARK FIT technologies, adjustable support legs, rotating support plates, edge wear pads, joint rubber, reflectors, hazard taping
  - Accessories: multiple blade options, Led lights set, custom paint, multiple valve options



*STARK attachments have been manufactured for over 40 years*



Product	Wing max. height (mm)	Wing min. height (mm)	Wing width (mm)	Distance from fitting (mm)	Turning angle $\pm$ (°)	Flotation angle (°)	Flotation height (mm)	Min. width with turning angle (mm)	Min. working width with angle (mm)	Length with blades (mm)	Weight (kg)
	A	B	C	D	E	G	H	I	J	K	
NL 1830R	850	715	1960	700	35	8	150	1600	1500	1860	390
NL 2440R	850	715	2500	700	35	8	150	2100	2000	2430	460
NL 2800R	925	740	2900	700	35	8	150	2400	2300	2800	580