

## STARK NLP – V - PLOWS



- The STARK NLP –V-Plows are designed for small wheel loaders and small tractors

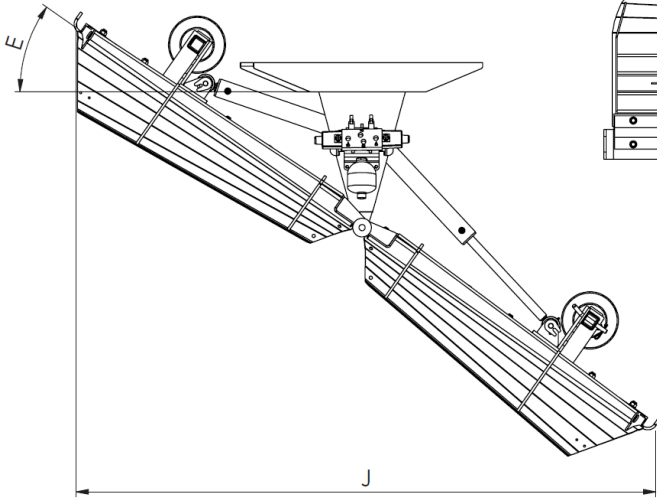
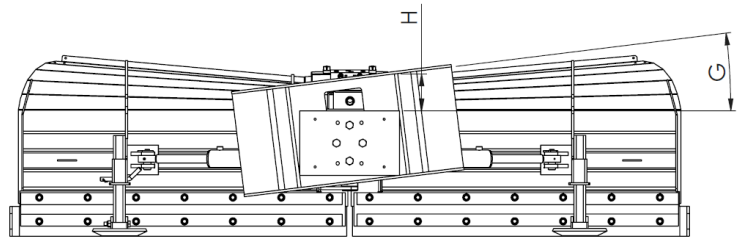
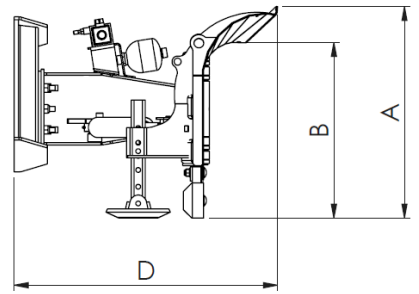
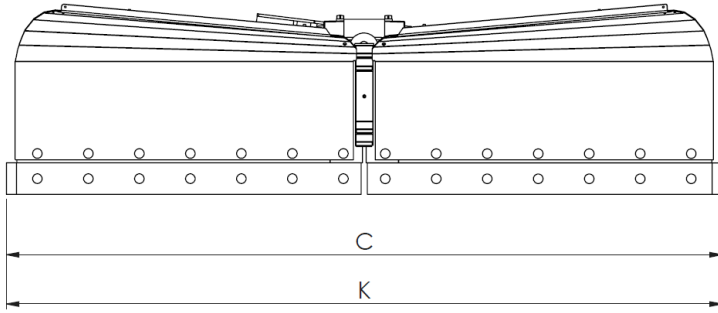
- The STARK NLP –V-Plow is suitable for snow cleaning of urban areas, courtyards and sidewalks.
- With the STARK NLP –V-Plow, the base machine has better controllability and visibility due to the weight of the plow and the height of the wings.
- The STARK NLP –V-Plow is an agile and versatile with the ability to position the plow in a "V", scoop or straight blade mode.
- The advanced vertical and horizontal floatation system integrated in the adapter frame and the adjustable disc shoes as a standard feature provide a quality finishing of cleaned surface.
- The polyethylene (PE1000 + MoS2) wear parts of the floatation system with adjustable tightening guarantee the best possible floating functionality.
- Polyurethane elastic blade-element protects the plow, driver and wheel loader by attenuating the impact into the blade when it is hit by small obstacles when plowing.
- The wings are protected against impacts hydraulically by double pressure limiting valves.

**FLOATING  
FRAME**

- Standard equipment: floatation attachment frame, disc shoes, reflectors and safety decals and fixed adapters: 3-point, Euro, Volvo L20, Volvo L30Z, JCB 409B or Kramer 380-680 and hydraulic quick couplings.
- Options: polyurethane flexible blade-element, flat blades, perforated blades, rubber blades, electric valve with double pressure relief valve, pressure accumulator, various quick couplers, LED light set.



*STARK attachments have been manufactured for over 40 years*



Product	Wing max. height (mm)	Wing min. height (mm)	Width (mm)	Distance from fittings (mm)	Turning angle $\pm$ (°)	Flotation angle (°)	Flotation height (mm)	Min. working width fully turned (mm)	Blades length (mm)	Weight (kg)*
	A	B	C	D	E	G	H	J	K	
NL 2400P	775	690	2450	900	35	8	140	2000	2450	380
NL 2800P	760	630	2855	950	35	8	140	2340	2855	420