

## **STARK -SNOW AND LIGHT MATERIAL BUCKET**

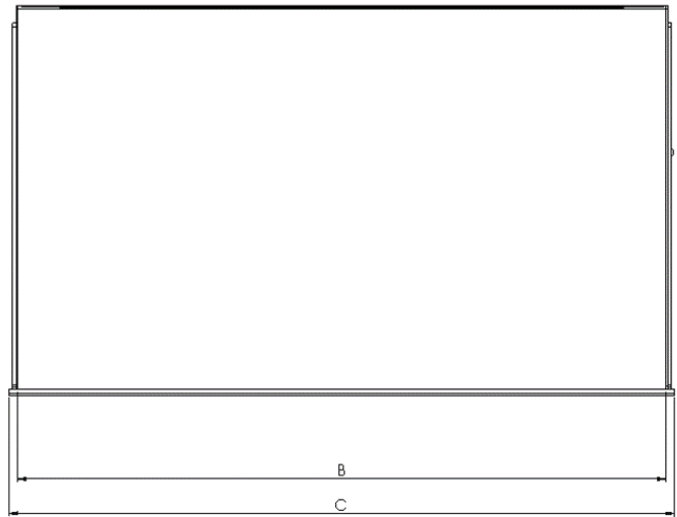
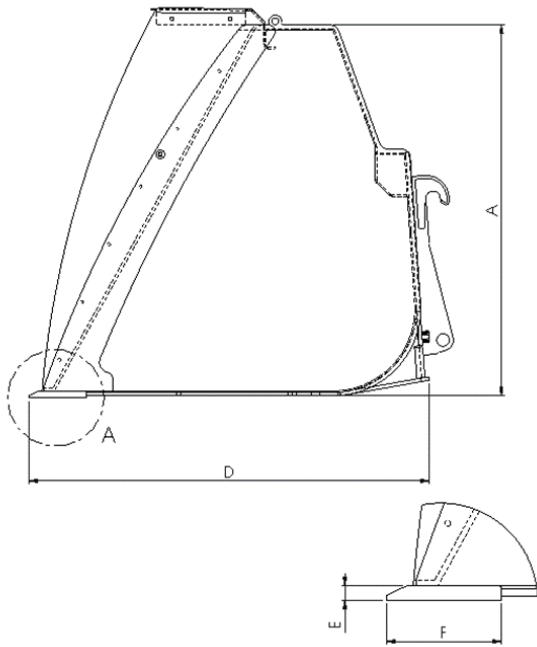
- The professional choice for loading snow and other light materials
- Designed for efficiency and durability



- Rigid, robotic welded housing construction
- Lipstick 500 HB Wear Steel
- Thanks to the round bottom, the bucket fills up well



*STARK attachments have been manufactured for over 40 years*



Product	Bucket height (mm)	Bucket width (mm)	Max. width (mm)	Bucket depth (mm)	Lip plate	Weight (kg)	Water volume (l)	SAE Volume (l)	Bucket max load (kg)	Machine weight recommendation (t)
	A	B	C	D	E x F	F	G	H	I	J
LK 710	780	1580	1640	840	16x150	240	700	760	700	1,5
LK 1010	1080	1840	1900	960	16x150	360	1160	1370	1000	3-6
LK 2010	1270	2300	2390	1170	20x200	510	1960	2370	2000	3-6
LK 3010	1410	2510	2590	1415	25x250	790	3020	3520	3000	6-10
LK 4010	1460	2510	2590	1630	25x250	905	3750	4250	4000	8-12
LK 5010	1615	2810	2890	1740	30x250	1150	4900	5620	5000	10-15
LK 5010 (wood chip sides)	1685					90	5920	6560	5000	10-15