



STARK -RELAX DIAGONAL PLOW

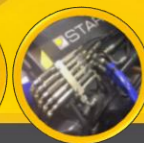
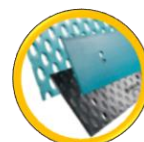
- Patented RELAX blade release system protects the operator, base machine and work tool
- Safest diagonal plow on the market
- Professional's choice for plowing roads



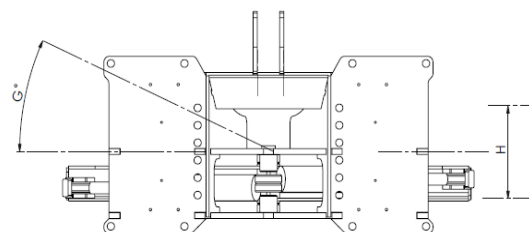
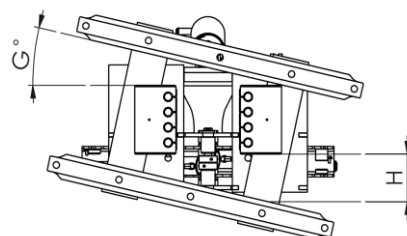
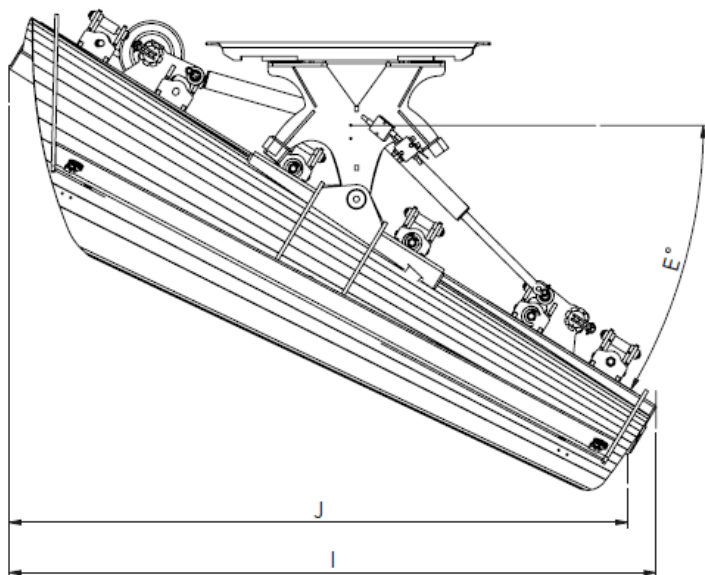
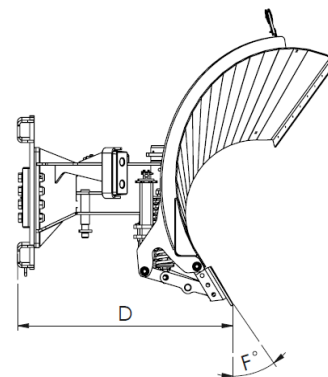
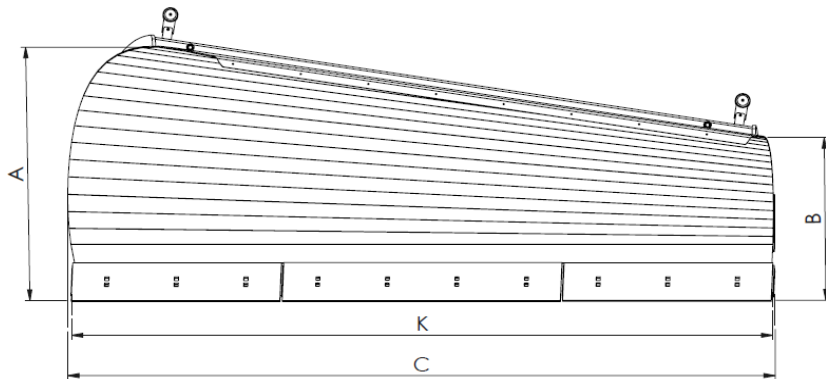
- Strong structure and high quality components ensure trouble-free miles of plowing
- Excellent snow throwing capability
- RELAX plow steel frame remains steady during plowing, resulting in smooth and flat driving surface
- RELAX plow springs are not exerted during plowing, thus avoiding unnecessary spring replacement costs
- RELAX plow removes packed snow efficiently and safely
- Thanks to the advanced degree of flotation, the plowing result is even and the plow is light to push
- Vertical and horizontal flotation ensure a uniform plowing trail
- Tilt angle of 12°, vertical flotation travel is 190 mm
- Flotation does not need greasing
- All RELAX diagonal plows come with bolt-on STARK FIT fittings



- Accessories: numerous blade options, LED series, snow rubber edge for front edge of the wing, customized paint finish, hydraulically operated snow stopper, support wheels, central lubrication system



STARK attachments have been manufactured for over 40 years



Product	Wing max. height (mm)	Wing min. height (mm)	Wing width (mm)	Distance from fitting (mm)	Turning angle ± (°)	Blade angle (°)	Flotation (°)	Flotation height (mm)	Min. width with turning angle (mm)	Min. working width for turning angle (mm)	Blade length (mm)	Weight (kg) *
	A	B	C	D	E	F	G	H	I	J	K	
AL 3100 R	1170	760	3100	900	38	32	12	190	2780	2620	3070	960
AL 3400 R	1180	760	3400	900	38	32	12	190	3070	2810	3370	1060
AL 3700 R	1160	740	3720	1100	38	32	6	150	3080	3000	3670	1220

* Weight includes blades and fittings. Weight depends on the fitting/plow accessories