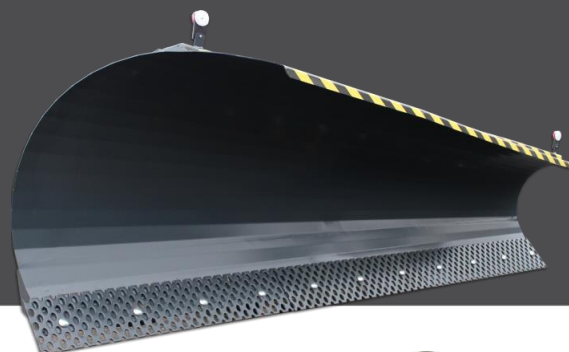


STARK -DIAGONAL PLOW

- Professional's choice for plowing roads
- Strong structure and high quality components ensure trouble-free miles of plowing



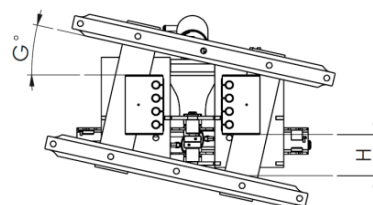
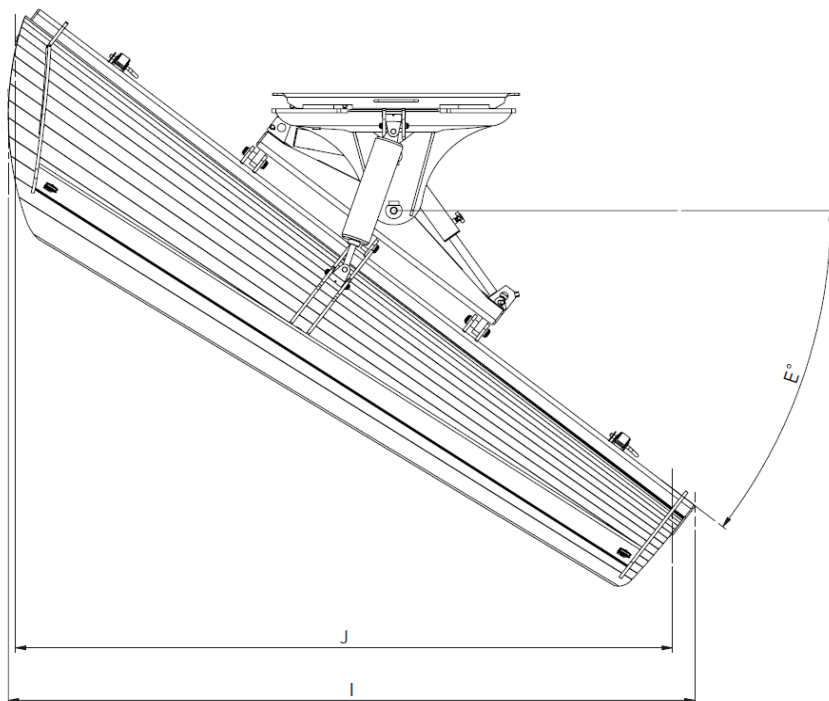
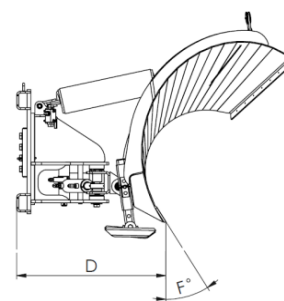
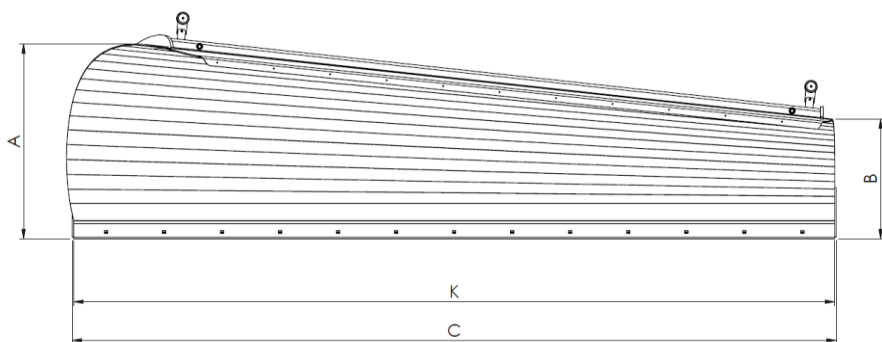
- Excellent snow throwing capabilities
- ADS spring trip device protects the operator, base machine and work tool
- Thanks to its advanced degree of flotation, the plow is smooth to push
- Tilt angle of 12°
- Vertical flotation travel of 190 mm
- All STARK diagonal plows have bolt-on STARK FIT fittings
- Steering angle of 38°
- All STARK diagonal plows use standard blades



- Accessories: numerous blade options, LED series, rubber snow edge for the front of the wing, customized paint finish, hydraulically operated snow stopper



STARK attachments have been manufactured for over 40 years



Product	Wing max. height (mm)	Wing min. height (mm)	Wing width (mm)	Distance from fitting (mm)	Turning angle ± (°)	Blade angle (°)	Flotation (°)	Flotation height (mm)	Min. width with turning angle (mm)	Min. working width with turning angle (mm)	Blade length (mm)	Weight (kg) *
	A	B	C	D	E	F	G	H	I	J	K	
AL 3200	1010	650	3260	790	35	32	12	190	2800	2640	3240	820
AL 3600	1060	660	3650	1060	38	32	12	190	3040	2910	3660	960
AL 4000	1070	660	4040	1060	38	32	12	190	3350	3220	4060	1000

* Weight includes blades and fittings. Weight depends on the fitting/plow accessories