

STARK -ROTARY BROOM

- Professional's choice
- Powerful, versatile and agile sweeper for year-round use

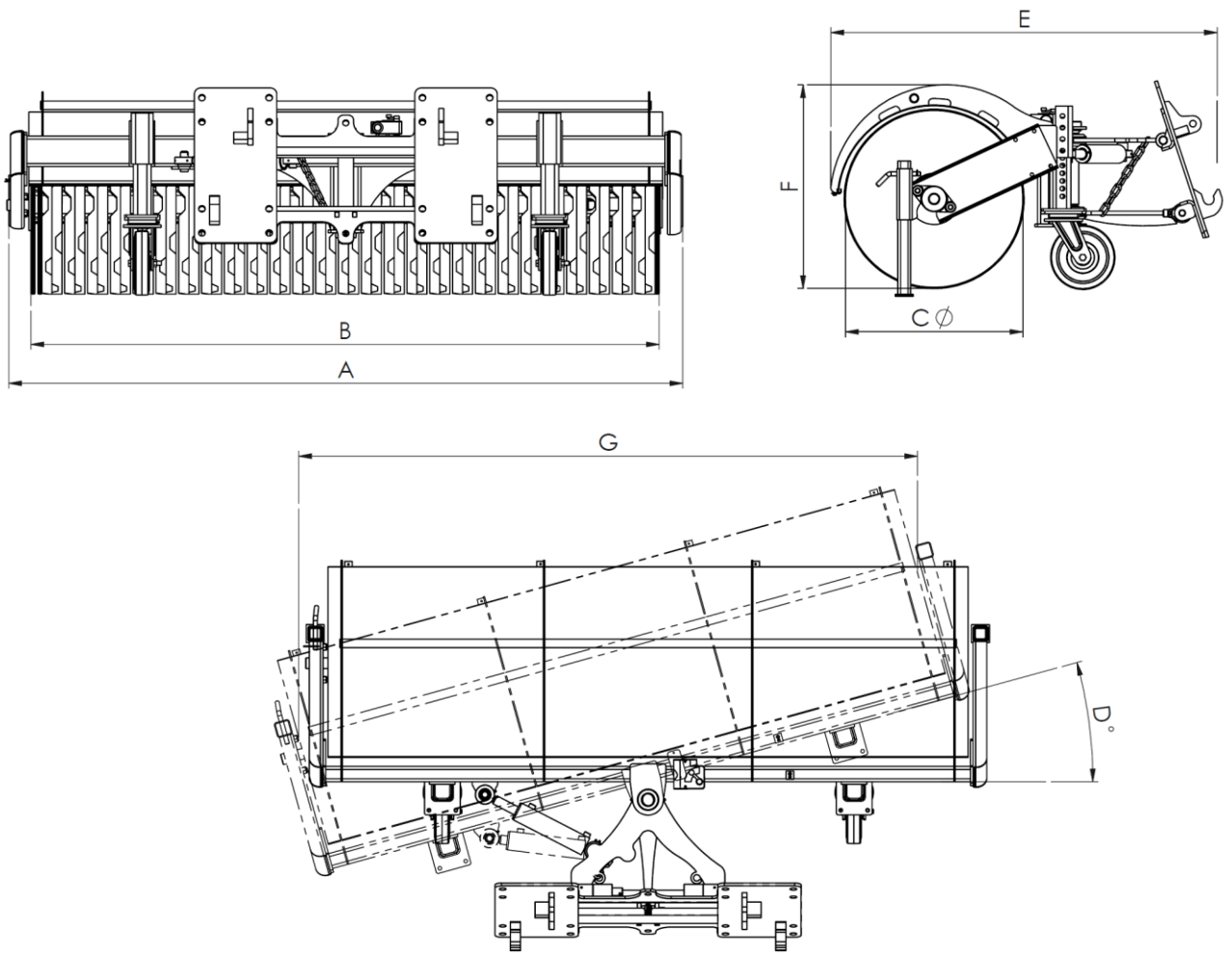


- Hydraulic motor is integrated into the brush roller, thus protecting it against impact
- Good visibility brings occupational safety
- 700 mm lamellas
- Bolt-on STARK-fit fitting can be changed quickly to match the base machine's fitting



- Accessories: rotation reverse valve





Product	Max. width (mm)	Working width	Main broom diameter (mm)	Turning angle \pm (°)	Length (mm)	Height (mm)	Brushing width with turning angle (mm)	Water tank (l)	Min. oil absorption (l/min)	Max. oil flow (l/min)**	Max. pressure (bar)	Return line max. counterpressure (bar)	Weight (kg) *
	A	B	C	D	E	F	G						
AH 2000	2180	2000	700	20	1380	800	1880	-	40	120	300	150	390
AH 2500	2670	2500	700	20	1380	800	2350	-	40	120	300	150	410

* Weight with fitting. Note! Weight may vary depending on fitting type/accessories

**Available with flow limiter if capacity exceeds 120 l/min